



## INDIAN SCHOOL AL WADI AL KABIR



<b>Class: VI</b>	<b>Department: SCIENCE 2021 -2022</b>	<b>Date of Completion: 23.01.2022</b>
<b>TEXTBOOK- Q &amp; A</b>	<b>Chapter: LIGHT, SHADOWS AND REFLECTIONS</b>	<b>Note: A4 FILE FORMAT</b>
<b>NAME OF THE STUDENT</b>	<b>CLASS &amp; SEC:</b>	<b>ROLL NO.</b>

### Exercise Questions

1. Rearrange the boxes given below to make a sentence that helps us understand opaque objects.

OWS	AKE	OPAQ	UEO	BJEC	TSM	SHAD
-----	-----	------	-----	------	-----	------

Ans:

OPAQ	UEO	BJEC	TSM	AKE	SHAD	OWS
------	-----	------	-----	-----	------	-----

2. Classify the objects or materials given below as opaque, transparent or translucent and luminous or non-luminous:

Air, water, a piece of rock, a sheet of aluminum, a mirror, a wooden board, a sheet of polythene, a CD, smoke, a sheet of plane glass, fog, a piece of red hot iron, an umbrella, a lighted fluorescent tube, a wall, a sheet of carbon paper, the flame of a gas burner, a sheet of cardboard, a lighted torch, a sheet of cellophane, a wire mesh, kerosene stove, sun, firefly, the moon.

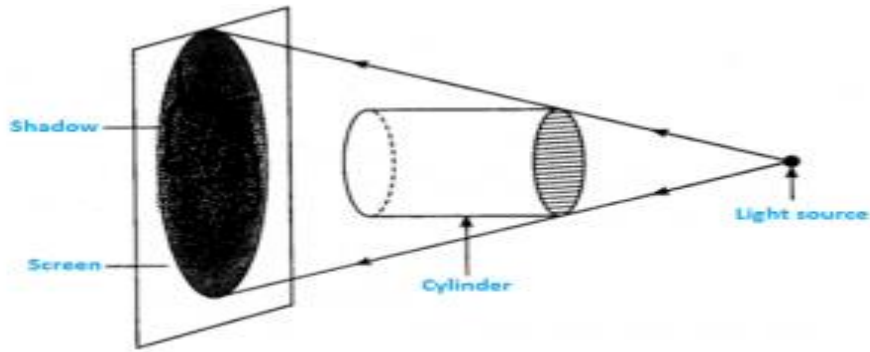
Ans:

OBJECT	Opaque/ Transparent /Translucent	Luminous / Non-luminous
Air	Transparent	Non-luminous
water	Transparent	Non-luminous
a piece of rock	Opaque	Non-luminous
a sheet of aluminum	Opaque	Non-luminous

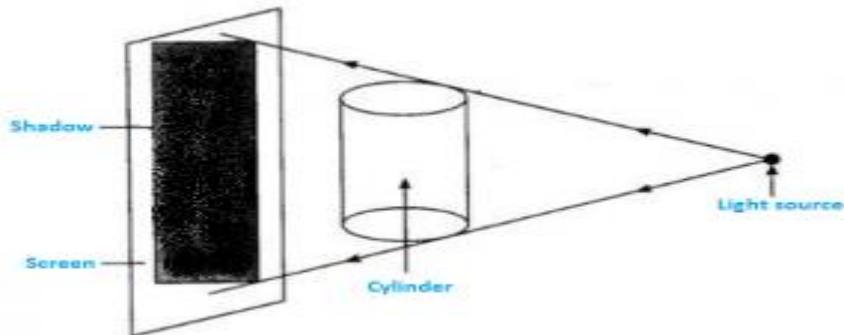
<b>a mirror</b>	<b>Opaque</b>	<b>Non-luminous</b>
<b>a wooden board</b>	<b>Opaque</b>	<b>Non-luminous</b>
<b>a sheet of polythene</b>	<b>Translucent</b>	<b>Non-luminous</b>
<b>a CD</b>	<b>Opaque</b>	<b>Non-luminous</b>
<b>smoke</b>	<b>Opaque</b>	<b>Non-luminous</b>
<b>a sheet of plane glass</b>	<b>Transparent</b>	<b>Non-luminous</b>
<b>fog</b>	<b>Translucent</b>	<b>Non-luminous</b>
<b>a piece of red hot iron</b>	<b>Opaque</b>	<b>Luminous</b>
<b>an umbrella</b>	<b>Opaque</b>	<b>Non-luminous</b>
<b>a lighted fluorescent tube</b>	<b>Opaque</b>	<b>Luminous</b>
<b>a wall</b>	<b>Opaque</b>	<b>Non-luminous</b>
<b>a sheet of carbon paper</b>	<b>Opaque</b>	<b>Non-luminous</b>
<b>the flame of a gas burner</b>	<b>Translucent</b>	<b>Luminous</b>
<b>a sheet of cardboard</b>	<b>Opaque</b>	<b>Non-luminous</b>
<b>a lighted torch</b>	<b>Opaque</b>	<b>Luminous</b>
<b>a sheet of cellophane</b>	<b>Translucent</b>	<b>Non-luminous</b>
<b>a wire mesh</b>	<b>Translucent</b>	<b>Non-luminous</b>
<b>kerosene stove</b>	<b>Opaque</b>	<b>Luminous</b>
<b>sun</b>	<b>Opaque</b>	<b>Luminous</b>
<b>Firefly</b>	<b>Opaque</b>	<b>Luminous</b>
<b>the moon.</b>	<b>Opaque</b>	<b>Non-luminous</b>

**3. Can you think of creating a shape that would give a circular shadow if held in one way and a rectangular shadow if held in another way?**

**Ans:** Yes, When the top of the cylinder faces the light source , then the circular shadow is formed. On the other hand, when the side of the cylinder faces the light source , then rectangular shadow is formed.



(b) Rectangular shadow with cylinder



4. In a completely dark room, if you hold up a mirror in front of you, will you see a reflection of yourself in the mirror?

**Ans:** Image of an object is formed when light is reflected from the mirror. Since there is no source of light in the room, no image will be formed.

Prepared by: Mrs. Suma Senu

Checked by: HOD - SCIENCE